



## Network Appliance™ MultiStore™ Software

The easiest way to consolidate, secure, and manage enterprise storage.

### Key Features

- SERVER CONSOLIDATION**  
Simply and easily consolidate the functionality of multiple Windows/UNIX file servers without reconfiguring.
- SECURE RESOURCE PARTITIONING**  
Maintain absolute separation and security of shared storage and network resources.
- SIMPLIFIED DATA MOVEMENT AND MIGRATION**  
Move and migrate data quickly and easily with SnapMirror® minimizing downtime.
- EASY ADMINISTRATION**  
Delegate administration to staff thanks to the simple, straightforward NetApp Data ONTAP™ operating system.
- REDUCED TCO**  
Save the cost and administration expenses of managing multiple servers.

### The Challenge: Consolidating Storage Easily and Securely

As network, Internet, and server facilities worldwide become increasingly consolidated, there is a growing concern about maintaining absolute data security and privacy. Within enterprises and xSP facilities, many different users may share the same storage resources. Providing completely separate storage in a facility that houses the files and applications of thousands of different users is a formidable challenge. How can absolute data security be maintained without providing physically separate storage for all?

### The Solution: NetApp® MultiStore—Shared Storage with Absolute Privacy

NetApp MultiStore software lets you quickly and easily create separate and completely private logical partitions in filer network and storage resources. Each virtual storage partition maintains absolute separation from every other storage partition. The result is that different enterprise departments sharing the same storage resources cannot access or in any way find other partitions. MultiStore assures that no information on any virtual partition can be viewed, used, or downloaded by unauthorized users.

### Consolidate Storage and Multiple Domains into a Single Filer

Many enterprises have thousands of Windows® and UNIX® file servers scattered throughout their networks. These servers not only represent an enormous hardware investment, they also create huge, ongoing administration costs. NetApp MultiStore eliminates this major expense and complexity by enabling a single filer to do the work of multiple servers.

Making the transition is easy. No reconfiguration of user data is required. NFS exports and CIFS shares can be set up independently for each partition. Not only that, you can also consolidate multiple domains on one filer.

All good reasons why MultiStore not only saves money on hardware, software, and support, it also reduces the administration burden. Instead of managing multiple servers, an administrator has just one filer to manage—the ultimate in simplicity.

### Secure Consolidation for Enterprises and Service Providers

In both enterprises and xSPs, MultiStore can partition and securely protect from unauthorized viewing or tampering sensitive information such as human resources records on employees, salaries, and other private information. In addition, some clients, departments, or individuals may need the added security of their own private network for accessing their data. With MultiStore and NetApp filers, you can easily designate a network as separate or shared—and do the same with other network resources and provide that added level of security.

### software

Network Appliance gives you the industry's most reliable storage software solutions, optimized specifically for the job, easy to use and administer, and deliver the lowest TCO and maximum ROI.

### Lower Your Total Cost of Ownership

In enterprises, giving individuals, departments, and remote locations their own separate storage devices isn't practical or economical. Likewise, for ISPs and colocation facilities to offer affordable services, it's not economically viable to have separate systems for every customer. MultiStore solves these challenges by providing a secure and dependable way to let users share a storage system with absolute privacy and security.

### Easy Setup, Administration, and Operation

NetApp MultiStore fits seamlessly into existing infrastructures with virtually no added demand on administration time and resources. MultiStore's tiered storage resource management administration model lets you confidently delegate everyday export and user management tasks, such as CIFS share, NFS export management, and user administration, to your staff. This highly efficient model gives you the control you need with lower administration costs.

### Unleash the Power of Information

See how the NetApp MultiStore product can give you a simple, intelligent, and highly effective solution for ensuring that shared disk resources remain absolutely private and secure. Simply visit our Web site at [www.netapp.com](http://www.netapp.com). And let us show you what the "The evolution of storage.™" means for your business.

#### MULTISTORE CAN BE USED FOR:

- STORAGE CONSOLIDATION
- SECURELY PARTITIONING STORAGE
- WORKLOAD BALANCING
- PROTECTING SENSITIVE FILES
- EFFICIENTLY MANAGING NETWORK RESOURCES

### Benefits

- Maintain domain infrastructure while providing multidomain storage consolidation
- Win/UNIX storage consolidation without reconfiguration
- Reduced management cost while offering independent domain-specific storage management
- Enables dynamic assignment/reassignment of storage and network resources
- Enables repurposing of the file servers to application servers

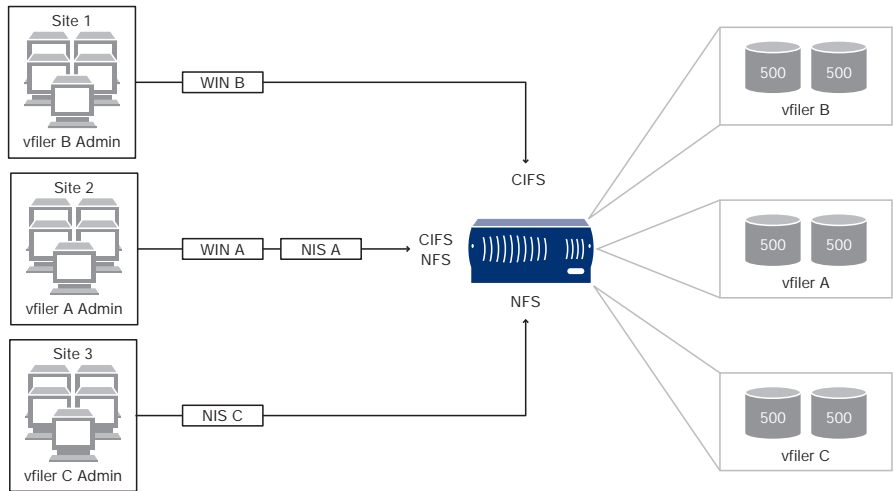


Figure 1) MultiStore Multidomain Storage Consolidation

This diagram illustrates the virtual partitioning of filer's network and storage resources. It also depicts how multiple domains (WIN and NIS) can be consolidated in one physical filer. Each virtual partition is also a multiprotocol (CIFS, NFS or CIFS+NFS).